

HONDA INSTALLATION INSTRUCTIONS

Accessory
ALL SEASON MATS

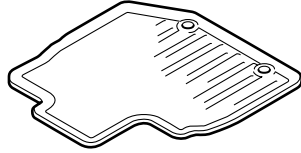
Application
2009 FIT

Publications No.

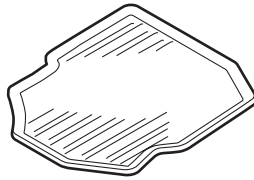
Issue Date
SEP. 2008

PARTS LIST

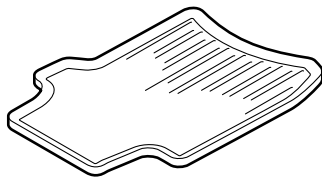
Driver's side all season mat



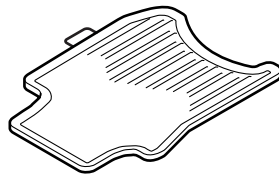
Passenger's side all season mat



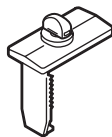
Left rear all season mat



Right rear all season mat



2 Holders



TOOLS AND SUPPLIES REQUIRED

Utility knife

Scale

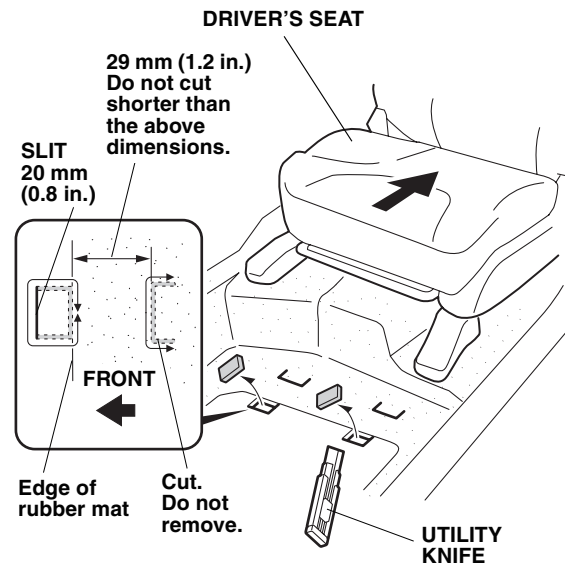
Clip remover (or flat-tip screwdriver)

INSTALLATION

NOTE:

- Before installing the all season mats, identify their installation positions.
- A holder is required for the driver's side of the vehicle; the holder prevents the front all season mat from sliding forward and possibly interfering with the pedals.
- If you remove the front all season mat, make sure you reanchor it when you put it back in your vehicle.
- If you replace the all season mat, use factory mats designed to be used with the holder.
- Do not put the all season mats on top of the anchored mat. The additional mats may slide forward and possibly interfere with the pedals.

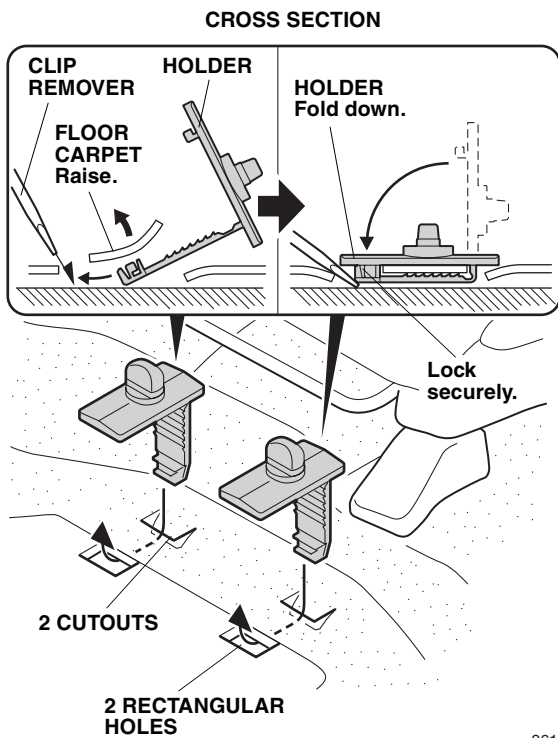
1. Slide the driver's seat back.



851301BR

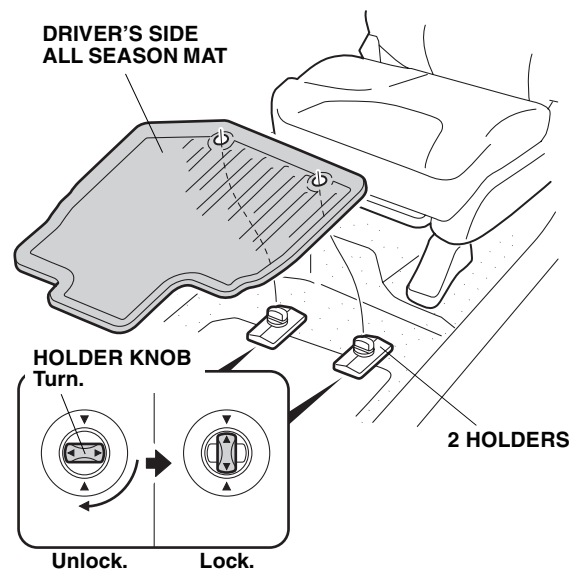
2. Locate the two slit marks on the rubber mat. Use a utility knife to cut the slit. Cut out the remaining rectangle along the edge of the rubber mat. Cut the recess in the area shown.

- Lift the floor carpet to create a space to insert the holder between floor carpet and insulator.

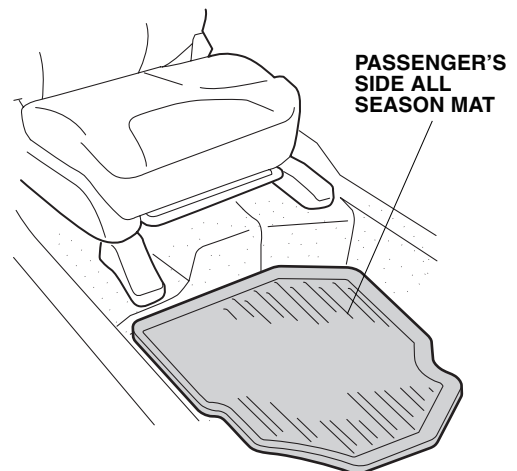


- Insert the two holders into the two cutouts and move the lock tabs to the forward two rectangular holes.
 - To support the holder, position a clip remover or equivalent tool underside the holder by inserting it through the hole at the front side of the floor carpet.
- Fold the holder as shown and secure the two holders.
 - When locking the holder, be sure that the floor carpet does not get caught.
 - Confirm that the holder is locked securely.

- Place the driver's side all season mat into the holders as shown.



- Turn the knobs on the two holders to secure the driver's side all season mat.
- Place the passenger's side all season mat in the passenger's footwell.



9. Place the right and left rear all season mats in front of the rear seats as shown.

